

# X-W12D4

12" X-Series Dual 4Ω Subwoofer



## PRODUCT OVERVIEW

The powerful X-Series subwoofers combine groundbreaking Alpine technologies along with modern, exaggerated design and components to give you a high-performance subwoofer that requires very little enclosure space. With 48mm of total excursion, the X-W12D4 is able to produce impressive amounts of bass while maintaining control and accuracy.

## PRODUCT FEATURES

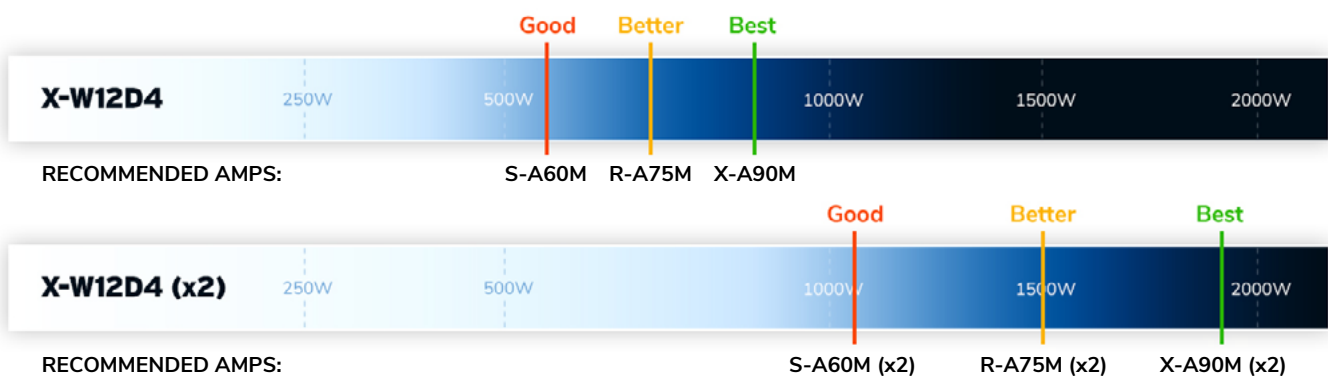
**Impressive Output** – A powerful, motor comprised of a premium, elongated voicecoil<sup>1</sup> and triple stacked ferrite magnets<sup>3</sup> reproduce the bass you crave

**Unprecedented Accuracy** – The unmatched 48mm of total excursion is controlled by a dual spider<sup>2</sup>, and the iconic HAMR Surround<sup>4</sup>

**Install Friendly Design** – The overbuilt motor allows a small box requirement while the locking trim ring<sup>5</sup> ensure a beautiful fit and finish

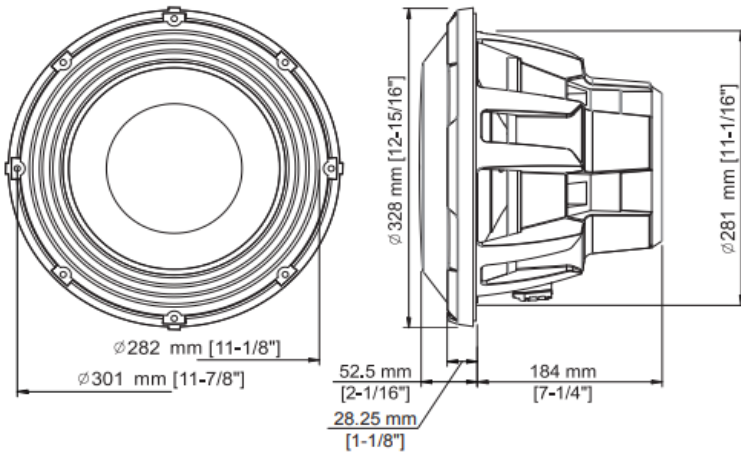


## POWER RANGE: 450-900W



# X-W12D4

12" X-Series Dual 4Ω Subwoofer



## GENERAL SPECS

- Size: 12"
- Dimensions: 11.875" x 11.875" x 7.25"
- Frequency Response: 24Hz - 200Hz
- Power Range: 450W - 900W RMS
- Power Handling: 900W RMS / 2700W Peak
- Magnet Weight: 174 oz (x3)
- Voice Coil Diameter: 65.5 mm (2.6")

## THIELE-SMALL PARAMETERS

- Sensitivity (1W/1m): 84.3 dB
- DC Resistance ( $R_e$ ):  $3.6\Omega + 3.6\Omega$
- Inductance ( $L_e$ ): 4.42 mH
- Free Air Resonance ( $F_s$ ): 27 Hz
- Equivalent Stiffness: 56 L
- Mechanical Q ( $Q_{ms}$ ): 5.63
- Electrical Q ( $Q_{es}$ ): 0.62
- Total Q ( $Q_{ts}$ ): 0.56
- Cone Area ( $S_d$ ): 472 cm<sup>2</sup>
- Linear Excursion ( $X_{max}$ ): 24 mm
- Mechanical Travel ( $X_{mech}$ ): 82 mm
- Displacement Volume ( $V_d$ ): .12 ft<sup>3</sup>

## BOX SPECS

### SEALED BOX RANGE:

Net Internal Volume: 0.4 - 1.25 ft<sup>3</sup>

### RECOMMENDED SEALED BOX:

External Dimensions: 14" x 14" x 12.25"

Gross Internal Volume: 0.97 ft<sup>3</sup>

Net Internal Volume: 0.85 ft<sup>3</sup>

F3, Qtc: 36 Hz, 0.99

### VENTED BOX RANGE:

Net Internal Volume: 1.0 - 2.0 ft<sup>3</sup>

Fb, Tuning: 30-36 Hz

### RECOMMENDED VENTED BOX:

External Dimensions: 14" x 23.5" x 14"

Gross Internal Volume: 1.98 ft<sup>3</sup>

Vent Area (W x H): 15.0 in<sup>2</sup> (3.75" x 4")

Vent Length: 18"

Vent Displacement: 0.21 ft<sup>3</sup>

Net Internal Volume (Vb): 1.65 ft<sup>3</sup>

F3, Ripple, Fb: 28 Hz, 5.7 dB, 33 Hz

## RECOMMENDED ENCLOSURE RESPONSE CURVES:

