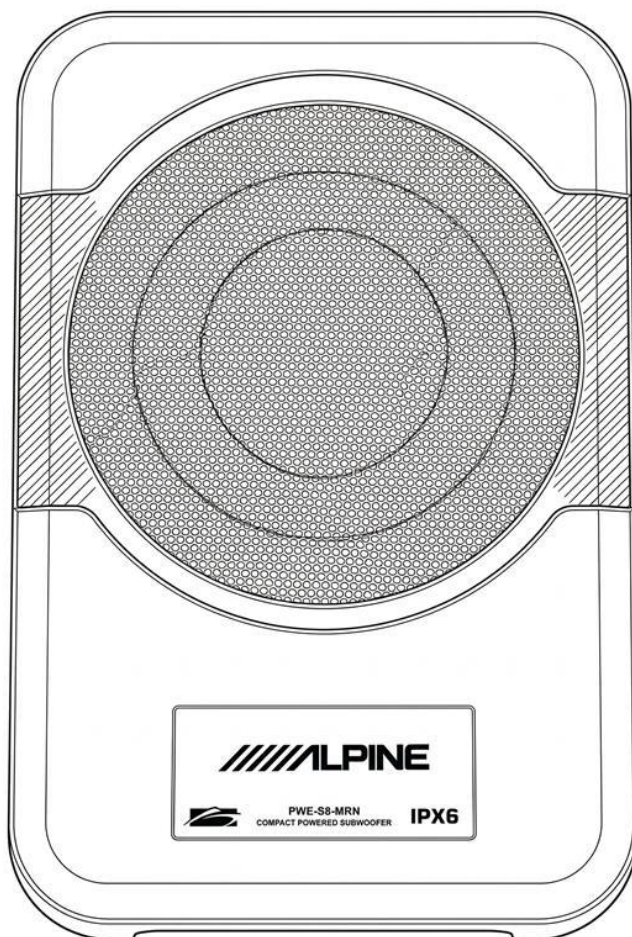


Owner's Manual



PWE-S8-MRN **Compact Powered 8" Marine Subwoofer**

Note

Design and specifications are subject to change without notice for improvement.

To Ensure Safe Use, Always Follow These Precautions

- The installation of this product requires specialized skills and experience. We recommend that you have the product installed by an Alpine authorized dealer.
- Before you use this product, be sure to carefully read this installation manual and the separate user's manual so that you can use the product correctly. Alpine Electronics bears no responsibility for problems that arise as a result of failure to follow the instructions in the manuals.
- This manual includes a number of symbols that are intended to help you use the product safely, to prevent harm to you and others, and to protect against damage to property. These symbols and their meanings are listed below. Make sure you fully understand these symbols before you begin reading the main text.

Explanation of Injury and Damage That May Result from Incorrect Use

Warning	Ignoring the content marked by this indication and using the product incorrectly is expected to lead to death or serious injury.
Caution	Ignoring the content marked by this indication and using the product incorrectly is only expected to lead to injury or property damage.

Warning **Do not use any features that will distract you while driving** Any function that affects your concentration should only be used after the car has come to a complete stop. To use these functions, please park your vehicle in a safe place first. Otherwise, an accident may result.

Warning **This product is only suitable for vehicles with 12V negative grounding** Otherwise, it may cause a fire and other accidents. If 12v negative is not available, like in a 48v system, a proper power rated 12v converter must be used. Power rating should be based on all 12v accessories that will be connected.

Warning **When replacing the fuse, you must choose a fuse with the correct ampere value** Otherwise, it may cause a fire or electric shock.

Warning **This product can only be used in 12V mobile applications** If used in non-designed applications, it may cause fire, electric shock or other injuries. If vehicle or other mobile application using a different voltage, like 48v, a proper power rated converter must be used. Power rating should be based on all 12v accessories that will be connected.

Warning **Make the correct connection** If it is not connected properly, it may cause fire or product damage.

Warning **Before wiring, disconnect the cable from the negative terminal of the battery** Otherwise, it may cause electric shock or injury due to electrical short circuit.

Warning **Do not splice cables** Do not cut the cable insulation to supply power to other equipment. Otherwise, the current carrying capacity of the wire will be exceeded, resulting in fire or electric shock.

Warning **KEEP THE VOLUME AT A LEVEL WHERE YOU CAN STILL HEAR OUTSIDE NOISES WHILE DRIVING.** Excessive volume levels that obscure sounds such as emergency vehicle sirens or road warning signals (train crossings, etc.) can be dangerous and may result in an accident. **LISTENING AT LOUD VOLUME LEVELS IN A CAR MAY ALSO CAUSE HEARING DAMAGE.**

Warning **DO NOT DISASSEMBLE OR ALTER.** Doing so may result in an accident, fire or electric shock.

Warning **USE THE CORRECT AMPERE RATING WHEN REPLACING FUSES.** Failure to do so may result in fire or electric shock.

Caution **HALT USE IMMEDIATELY IF A PROBLEM APPEARS.** Failure to do so may cause personal injury or damage to the product. Return it to your authorized Alpine dealer or the nearest Alpine Service Center for repairing.

Caution **HAVE THE WIRING AND INSTALLATION DONE BY EXPERTS.** The wiring and installation of this unit requires special technical skill and experience. To ensure safety, always contact the dealer where you purchased this product to have the work done.

Caution **USE SPECIFIED ACCESSORY PARTS AND INSTALL THEM SECURELY.** Be sure to use only the specified accessory parts. Use of other than designated parts may damage this unit internally or may not securely install the unit in place. This may cause parts to become loose resulting in hazards or product failure

Caution **ARRANGE THE WIRING SO IT IS NOT CRIMPED OR PINCHED BY A SHARP METAL EDGE.** Route the cables and wiring away from moving parts (like the seat rails) or sharp or pointed edges. This will prevent crimping and damage to the wiring. If wiring passes through a hole in metal, use a rubber grommet to prevent the wire's insulation from being cut by the metal edge of the hole.

Service Care

IMPORTANT NOTICE This Amplifier has been type tested and found to comply with the limits for a Class B computing device in accordance with the specifications in Subpart J of Part 15 of FCC Rules. This equipment generates and uses radio frequency energy, and it must be installed and used properly in accordance with the manufacturer's instructions.

For European Customers Should you have any questions about warranty, please consult your store of purchase.

For Customers in other Countries **IMPORTANT NOTICE** Customers who purchase the product with which this notice is packaged, and who make this purchase in countries other than the United States of America and Canada, please contact your dealer for information regarding warranty coverage.

SERIAL NUMBER: _____
INSTALLATION DATE: _____
INSTALLATION TECHNICIAN: _____
PLACE OF PURCHASE: _____

IMPORTANT

Please record the serial number of your unit in the space provided here and keep it as a permanent record. The serial number plate is located on the rear of the unit.

Specifications

PWE-S8-MRN

4

Sound	
Power Output (RMS)	120 watts
Frequency Response	25 - 152Hz
Woofers	
Diaphragm Size (Normal)	8 inch
Diaphragm Material	Polypropylene/Aluminum
Surround	Rubber
Amplifier	
Power Output (RMS)	120 watts
Low Pass Crossover	50 - 150 Hz
Input Sensitivity	0.2-4.0V (RCA Input)
	0.5-10.9V (Speaker Level Input)
Accessories	
Remote Bass Level Knob	Cable Length: 4M
	Adjustment Range: 0 to -20dB
Input Harness	Length: 75mm
Mounting Brackets	Yes
Owner's Manual	Online Only
General	
Dimensions W x H x D	340 mm (13-7/16") x 70 mm (2-13/16") x 230 mm (9-1/16")
Weight	4.6 kg (10 lbs)
Water Resistance	IPX6

Accessories

Mounting Bracket.....	4
Bracket Screws	8
Fuse (15A)	1
Input/Power Wire Harness	1
Remote Bass Level Knob	1
Velcro	1

Installation (Fig. 1) & (Fig. 2)

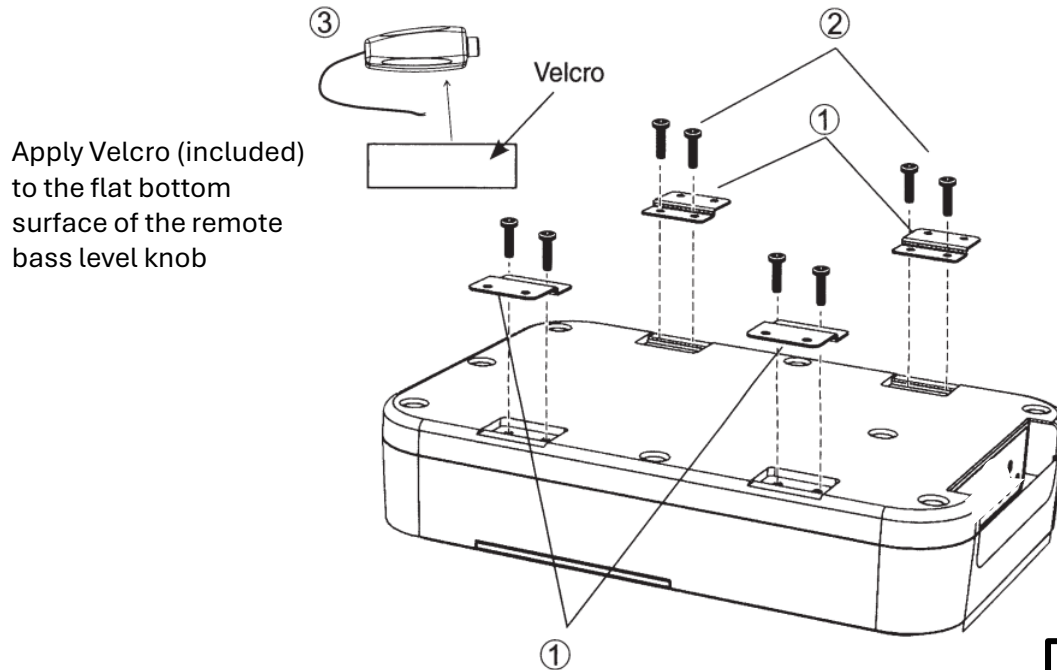


Fig. 1

- ① Mounting Bracket
- ② Bracket Screws
- ③ Attachment Method of Remote Bass Level Knob

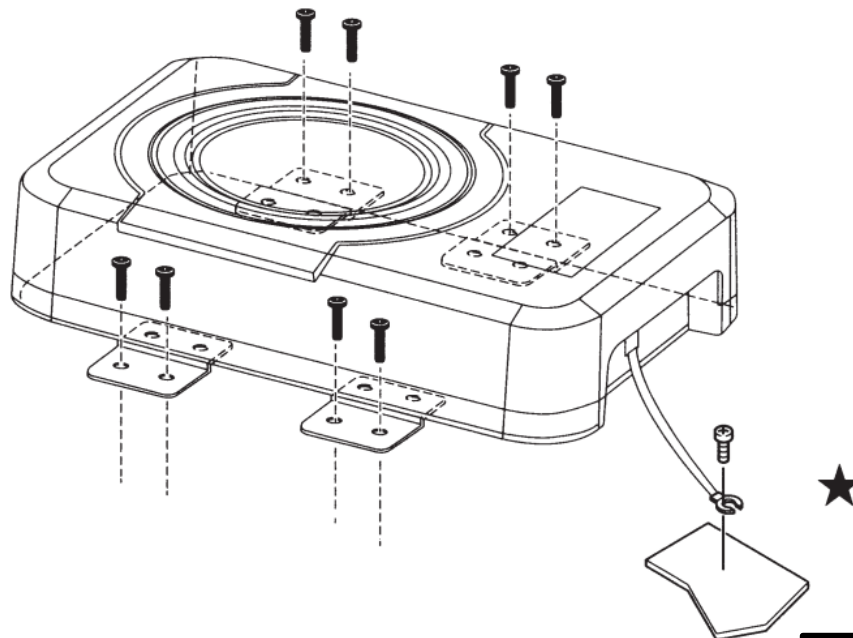


Fig. 2

Installation (Fig. 1) & (Fig. 2)

PWE-S8-MRN

6



Caution

Caution on connection terminals/parts

Keep electrically conductive objects away from the unit's terminals/parts (power terminals, fuses, speaker input terminals, RCA connectors, etc.). Doing so prevents a possible short circuit and damage to the unit.

Mounting

1. Attach the included mounting brackets to the PWE-S8-MRN with the supplied screws. (See to Fig. 1)
 1. Blue film on mounting brackets is a protective coating to protect the bracket during shipment.
 2. Blue film should be removed prior to attaching to PWE-S8-MRN
2. Once the brackets are mounted to the PWE-S8-MRN. Place the subwoofer in the desired location within the vehicle. Before securing with screws, check to make sure all screws can affix to a structurally solid surface while avoiding vehicle wiring, components, etc. (See Fig. 2)

Note: For securing the mounting brackets to the vehicle, it may be necessary to use longer screws (not included) to accommodate carpet thickness, etc.

NOTE: (Fig 2.)

*To securely connect the ground lead, use an already installed screw on the metal part of the vehicle (marked *). Be sure this is a good ground by checking continuity to the battery (-) terminal. As much as possible connect all equipment to the same ground point. These procedures will help eliminate noise.*

Note:

Ensure proper mounting location. Unit is only water resistance IPX6 rated and should not be submerged.

Connections

Before making connections, be sure to turn the power off to all audio components. Connect the red battery lead from the amp directly to the positive(+) terminal of the vehicle's battery. Do not connect this lead to the fuse block .

Caution on connection terminals/parts

Keep electrically conductive objects away from the unit's terminals/parts (power terminals, fuses, speaker output terminals, RCA connectors, etc.). Doing so prevents a possible short circuit and damage to the unit.

To prevent external noise from entering the audio system

- Locate the unit and route the leads at least 10 cm (3- 15/16") away from other harnesses.
- Keep the battery power leads as far away from other leads as possible.
- Connect the ground lead securely to a bare metal spot (remove any paint or grease if necessary) of the car chassis. For Marine applications, please locate the closest ground point on the vessel.
- Your Alpine dealer knows best about noise prevention measures so consult your dealer for further information.

Connections (Fig. 3)

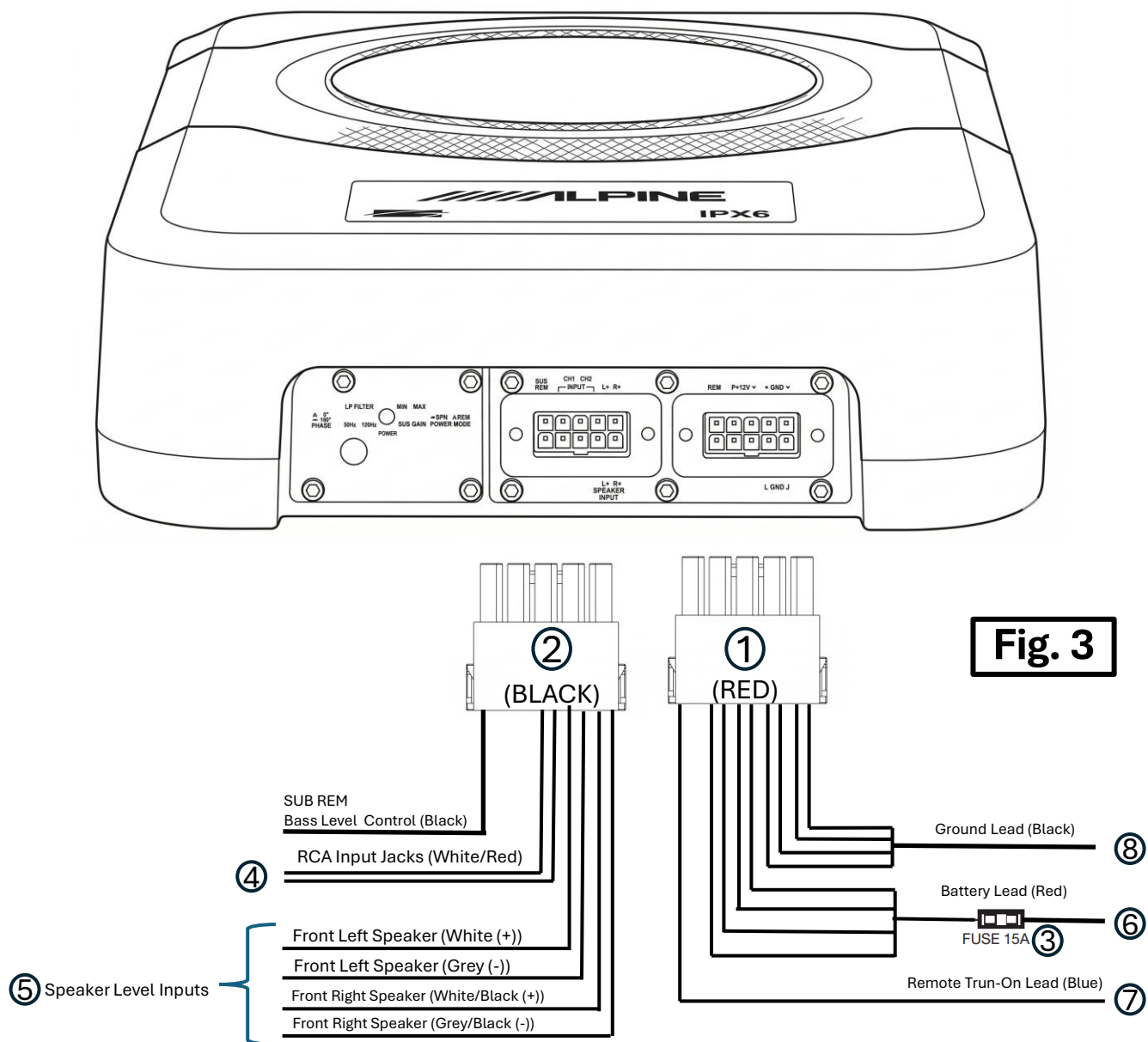


Fig. 3

Connections (Fig. 3)

1. Remote Turn-On/Power Wire Harness (Red Connector)
2. Remote Bass Knob/Input Wire Harness (Black Connector)
3. Fuse (15A) USE ONLY THE CORRECT AMPERE RATING WHEN REPLACING FUSES. Failure to do so may result in fire or electric shock.
4. RCA Input Jacks Connect these jacks to the line out leads on your head unit using RCA extension cables (sold separately)
5. Speaker Input Leads These leads are input leads for use with head units not equipped with preamp outputs. When not using the RCA Line Input connectors, you should connect these wires to the speaker output leads of your head unit. The PWE-SB accepts input from high power or standard power head units.

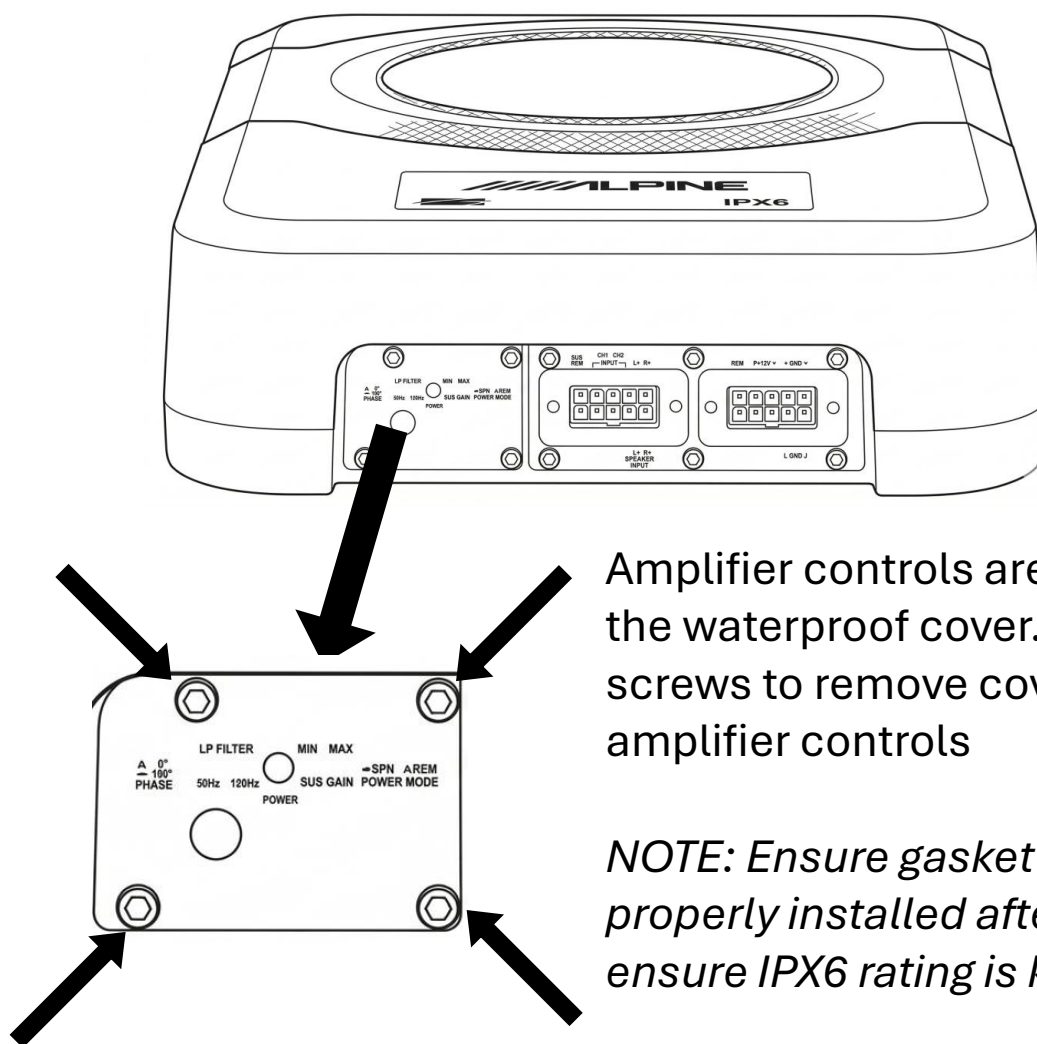
Note: Do not connect speaker leads together or to chassis ground. u,e either RCA line level or speaker level inputs. Do not connect . both at the same time .

6. Battery Lead (Red) Connect battery lead directly to BATT + Be sure to add a 15A fuse (sold separately) as close as possible to the battery's (+)terminal.
7. Remote Turn-On Lead (Blue/White) Connect this lead to the remote turn-on (positive trigger, (+) 12V only) lead of your head unit.

Note: If using speaker input level signal from the head unit, remote turn-on lead connection is not necessary. Please make sure "Power Mode " button is set to SPIN (Button In).

8. Ground Lead (Black) Connect this lead securely to a clean bare metal spot on the vehicle's chassis. Verify this point to be a true ground by checking for continuity between that point and the negative (-) terminal of the vehicle's battery. Ground all your audio components to the same point on the chassis to prevent ground loops.

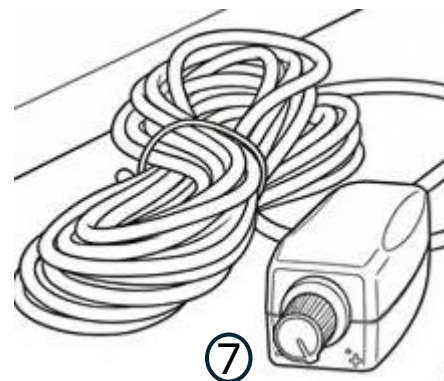
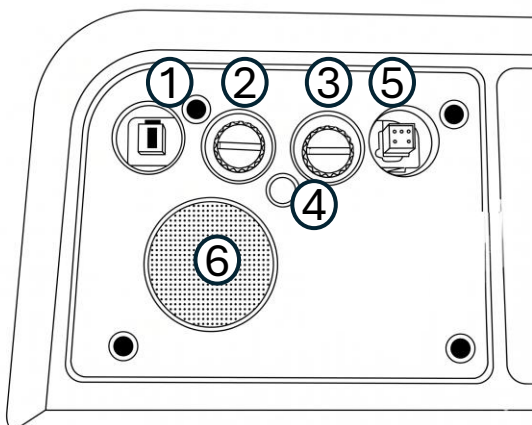
Amplifier Switch Settings (Fig. 4)



Amplifier controls are hidden behind the waterproof cover. Remove 4 screws to remove cover to access amplifier controls

NOTE: Ensure gasket and cover are properly installed after adjustments to ensure IPX6 rating is kept.

Fig. 4



Switch Settings (Fig. 4)

1. Phase switch 0° to 180°
Subwoofer output phase can be set to Subwoofer Normal 0° (Button Out) or Subwoofer Reverse 180° (Button In).

2. Crossover Frequency Adjustment Knob (LP FILTER)
Use this control to adjust the crossover frequency between 50 to 150Hz.

3. Input Gain Adjustment Control

NOTE: If the Remote Bass Level Knob will be connected in your system, make sure to rotate the knob fully clockwise (set to "+") before making the input gain adjustment.

Set the PWE-S8-MRN input gain to the minimum position. Using a dynamic CD as a source, increase the head unit volume until the output distorts. Then, reduce the volume 1 step (or until the output is no longer distorted). Now, increase the amplifier gain until the sound from the speakers becomes distorted. Reduce the gain slightly so the sound is no longer distorted to achieve the optimum gain setting.

4. Power Indicator

Indication Color	Status	Solution
Blue	Amplifier circuit is normal	
None (LED is OFF)	Amplifier circuit is abnormal. An electrical short has occurred, or supply current is too high, 15A fuse may be blown	Turn off the power supply and eliminate the cause (replace the 15A if necessary). Then turn on the unit and verify that the LED has turned on. If it remains off, turn off the unit and consult your dealer.
	Power Supply voltage too high.	Use the correct power supply voltage.

5. SUB REM Bass Level Input
Connect the Remote Bass Level Knob (Included) to adjust the output remotely. This is not to replace appropriate gain level setting between the amplifier and the head unit.

6. Power Mode Button
Depending on your source unit. Two options to turn on the PWE-S8-MRN

Option 1:
REM (Button Out). Use this option when connecting the Blue/White Wire (remote turn-on wire).

Option2:
SP IN (Button In). Use this option when connecting the speaker input leads.

Note: For the "Speaker Level Input System" setting, connecting the Remote Turn-On Lead is not required. However, the "SP IN" function may not work depending on the signal source connected. In such a case, connect the Remote Turn-On Lead to an incoming power supply wire (accessory power) in the ACC position and power mode set to REM (Button In).

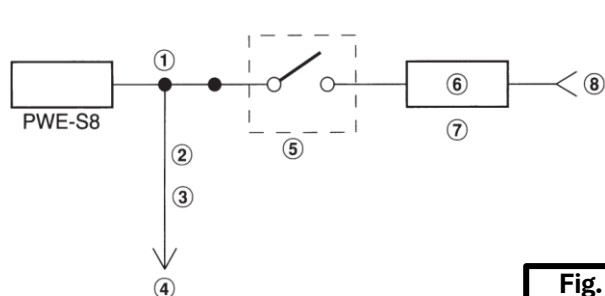
7. Remote Bass Level Knob
Allows the user to adjust the overall bass level of the subwoofer. Turning the remote bass level knob towards(+) increases the overall subwoofer level, while turning the bass level knob towards (-)decreases the overall subwoofer level. (Note: PWE-SB-MRN can be used without connecting the remote bass level knob. However, overall subwoofer level cannot be adjusted from the listening position.)

Connection Checklist (Fig. 5)

Please check your head unit for the conditions listed below: (Fig. 4)

- The head unit does not have a remote turn-on or power antenna lead.
- The head unit's power antenna lead is activated only when the radio is on (turns off in the tape or CD Mode).
- The head unit's power antenna lead is logic level output (+) 5V, negative trigger (grounding type), or cannot sustain (+) 12V when connected to other equipment in addition to the vehicle's power antenna. If any of the above conditions exist, the remote turn-on lead of your PWE-S8-MRN must be connected to a switched power source (ignition) in the vehicle. Be sure to use a 3A fuse as close as possible to this ignition tap. Using this connection method, the PWE-SB will turn on and stay on as long as the ignition switch is on.

PWE-S8 Right end panel/panneau de droite/panel de la derecha



- ① Blue/White
- ② Power Antenna
- ③ Remote Turn-On Lead
- ④ To other Alpine components' Remote Turn-On Leads
- ⑤ SPST Switch (optional)
- ⑥ Fuse (3A)
- ⑦ As close as possible to the vehicle's ignition tap
- ⑧ Ignition Source

Fig. 5

If this is objectionable, a SPST (Single Pole, Single Throw) switch, in addition to the 3A fuse mentioned above, may be installed in-line on the PWE-S8-MRN turn-on lead. This switch will then be used to turn on (and off) the PWE-S8-MRN. Therefore, the switch should be mounted so that is accessible by the driver. Make sure the switch is turned off when the vehicle is not running. Otherwise, the subwoofer will remain on and drain the battery.

You can either use the low-level input RCA jacks, or the speaker line-level inputs. Please only hook up one or the other. There is a selector button under the cover plate to select between the 2 options.

Button out when using RCA input

Button in when using the speaker level input